


Part number

# CK 03 VGS



## Brief description:

Hoods with single lever, size "21.21", top entry, Pg11, thermoplastic version, IP44, IP66/IP67 degree of protection with CKR 65 kit or CKR 65 D kit.

Product description		Approvals / Standards	
Version	thermoplastic version	Quality mark	UL type: 12, (type 4/4X only with kit CKR 65 or CKR 65 D),  , EAC
Series	Hoods with 1 lever	Conformity	CQC, CE
Product type	with 1 lever	<b>General ordering information</b>	
Variante	top entry	EAN13 code	8015747026727
Style	white colour, RAL 7035	Tariff number	85369095
Family	CK thermoplastic enclosures	<b>Packaging Information</b>	
Size	size "21.21"	Packaging weight	2,22 kg
<b>Technical data</b>		Packaging volume	12,90 dm <sup>3</sup>
Operating temperature range (min, max)	-40°C ... +125°C	Packaging description	Carton box
Material	thermoplastic	Packaging quantity	100 Pcs
IP degree of protection	IP44 (IP66/IP67 with CKR 65/CKR 65 D kits)	Packaging EAN code	8015747026734
Cable entry	Pg11	Sub-packaging length	100,00 mm
<b>Further technical details</b>		Sub-packaging height	58,00 mm
Weight	22,00 g	Sub-packaging width	145,00 mm
		Sub-packaging weight	0,22 kg
		Sub-packaging volume	0,84 dm <sup>3</sup>
		Sub-packaging description	Carton Box
		Sub-packaging quantity	10 Pcs
		Sub-packaging EAN barcode	8015747026741

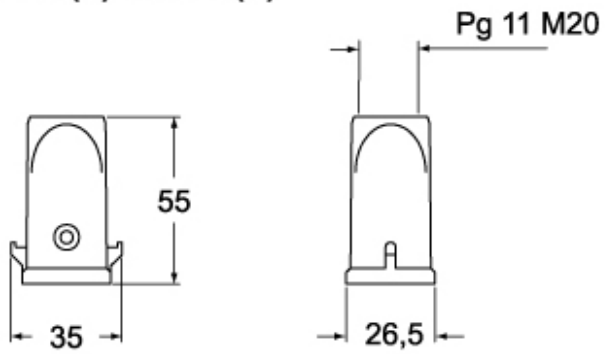
Part number

# CK 03 VGS

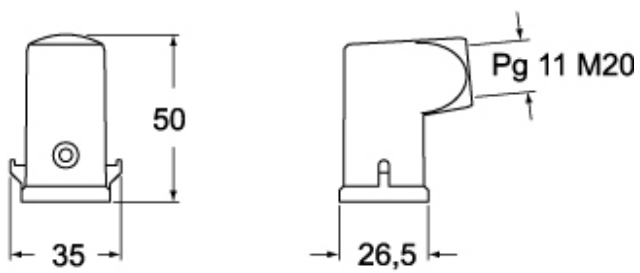


Catalogue drawings

## CK V(N)S - MK V(N)



## CK VA(N)S - MK VA(N)



## CK VG(N)S - MK VG(N)

