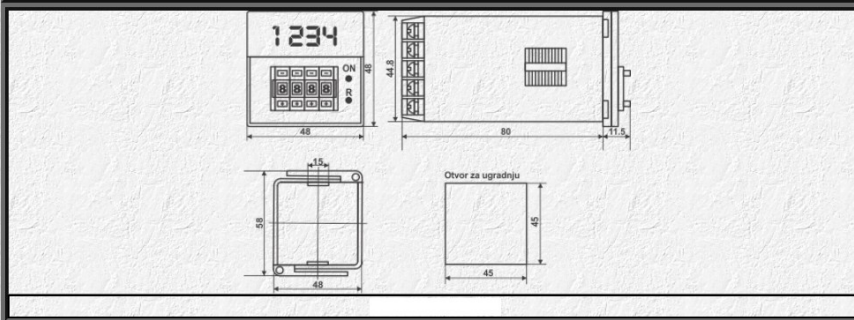




### Main Features

Power supply	DHCSJ-A AC/DC 100/240 V
Relay Output	250VAC 3A
Output power supply for sensor	12VDC 30mA max
Ambient	Ambient temperature -10 ~40 °C; Ambient humidity 35~85%RH
Input signal	Volt Input : L = 0~2V H = 4~30V
Input impedance	$\geq 4,7 K\Omega$
Counter speed	30 CPS / 1000 CPS
Counting Range	to 9999 (4 digits)

### Dimensions



### Operation Modes

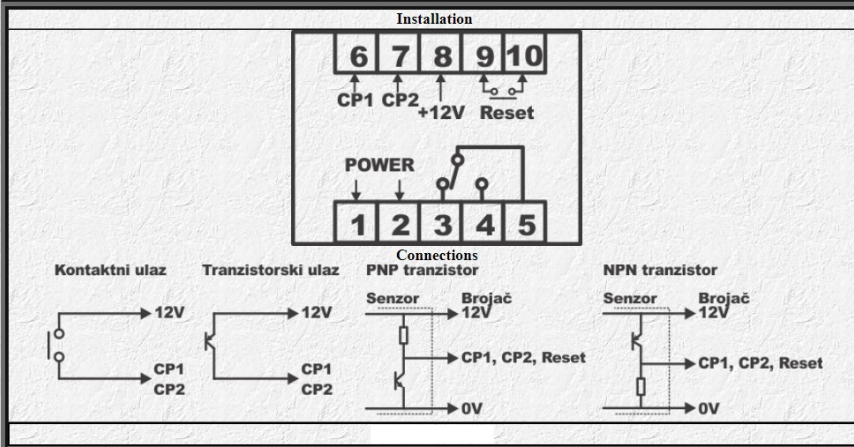
**N mode**  
K1(OFF), K3(ON)

**F mode**  
K1(OFF), K3(OFF)

**R mode**  
K1(ON), K3(OFF)

Setting Operation Modes		
	ON	OFF
K1	R mode	N/F mode
K2	30 cps	1000 cps
K3	N mode	F mode
K4	NO	Bekap memory

### Wiring



### Available models and prices

	<p><b>DHCSJ-A</b></p> <p>Dimension 48 x 48 x 98 mm</p> <p>Mounting size 45 x 45 mm</p> <p>Power supply 100-240 VAC/DC</p> <p>Display 4 digits</p> <p>Counting Range to 9999</p> <p>Input 30Hz / 1KHz</p>
--	--